

Sheven / FVS-1002

Single Lever Vessel Bathroom Faucet

Chrome / Oil Rubbed Bronze / Satin Nickel Finishes

Kräus®

SPECIFICATION SHEET

Material

Body: Brass
Handle: Zinc
Waterway: Brass

Faucet Type

Vessel

Cartridge

Brand: Kerox
Size: 35mm
Style: Lever

Mounting

Holes: 1 Hole
Type: Brass Nut

Waterlines

Type : CAE
Flexible: Flexible
Connections: 3/8"
Materials: Braided Stainless Steel
Included : Included
Factory Installed:

Aerator

Brand: Neoperl/1.2GPM
Name: Perlator Honeycomb SSR
Flow Rate: 1.2gpm (4.5L/min) @ 60 psi

Dimensions

Faucet Dimensions: 13 1/4" x 4 3/8" x 2"

Accessories Included

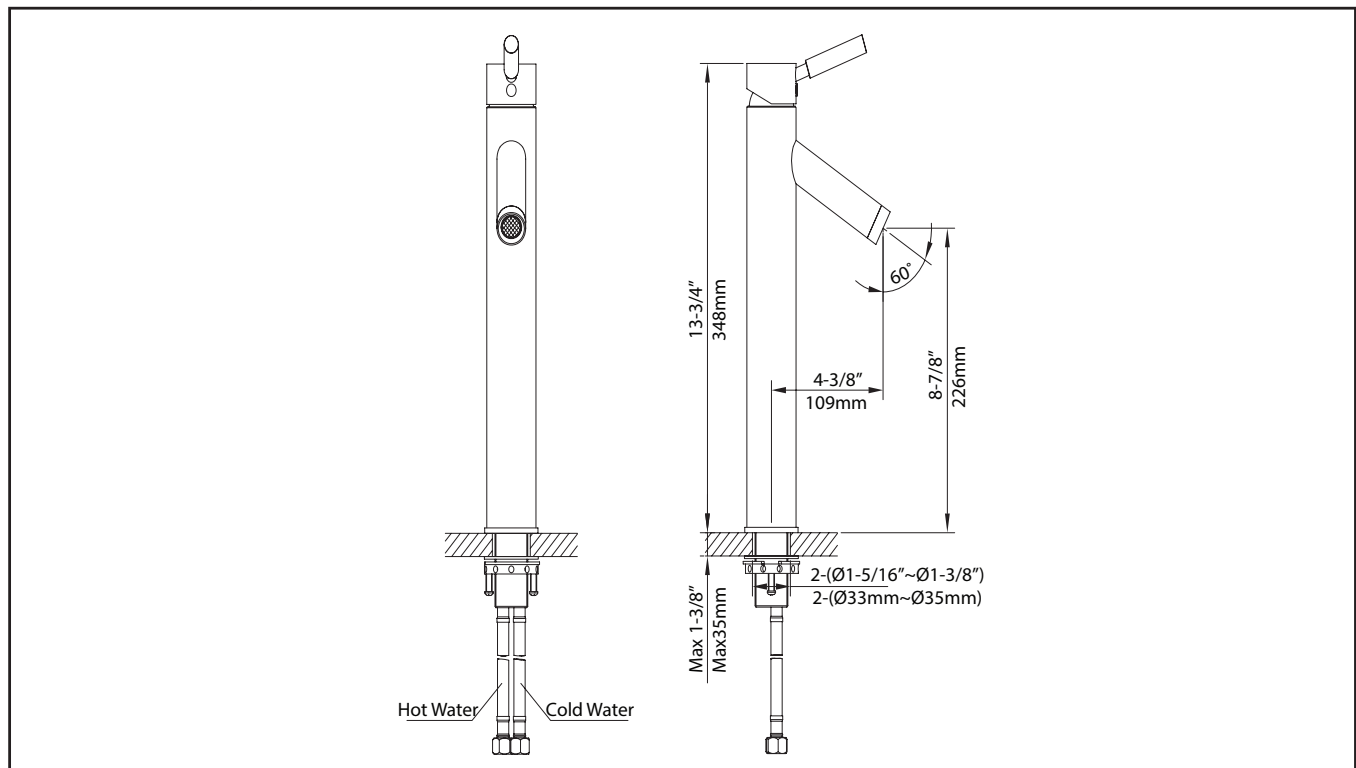
Hex Wrench

Optional Accessories

PU-10, PU-15
PU-12

Kraus Limited Lifetime Warranty: See website for details www.kraususa.com

1.800.775.0703 / customerservice@kraususa.com



Codes/Standards: Meets ASME A112.18.1/CSA B125.1, NSF/ANSI Standard 61 certified by IAPMO, NSF/ANSI Standard 372 certified by IAPMO, CAL GREEN, EPA, CEC, DOE, ADA

REV. December 8, 2016